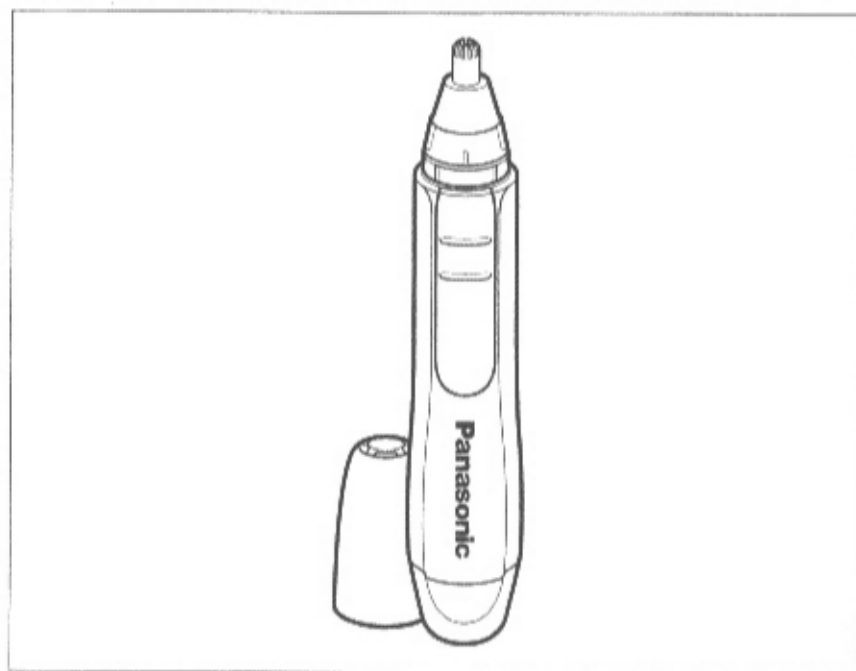


Panasonic®

Nose & Ear Hair Trimmer

Operating Instructions

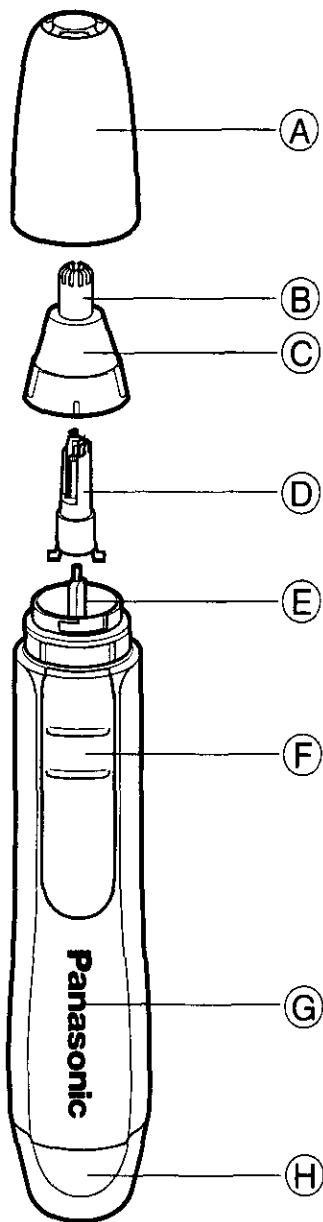
Model No. ER412



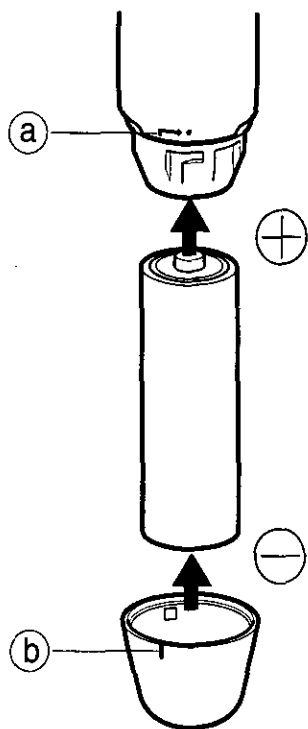
Before operating this unit, please read these instructions completely.

Thank you for purchasing the Panasonic Nose & Ear Hair Trimmer Model No. ER412

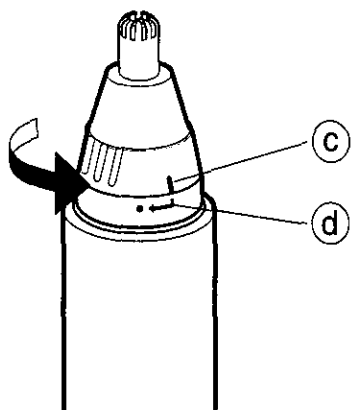
1



2



3



Parts identification

(See fig. 1)

- (A) Protective cap
- (B) Outer blade
- (C) Outer blade frame
- (D) Inner blade
- (E) Joint
- (F) On/off switch

Slide the switch upward to turn the trimmer on.

- (G) Body
- (H) Battery cover

Replacing battery

(See fig. 2)

Turn the battery cover counter clockwise and match the line (a) with (b) and pull to remove. Insert one AA battery. To replace the battery cover, reverse the above procedure.

Using your trimmer

Turn on the switch and carefully insert the tip of the outer blade into your nostril or an ear hole to trim the nose and ear hairs.

Maintenance

Be sure that the switch is turned off before removing, replacing or cleaning the blades.

To remove the outer blade frame, turn it and match the line (c) with (d) and pull upward. (See fig. 3)

Detach the inner blade from the outer

blade. Wipe the blades with a tissue to remove any cut hairs, dust, etc.

THE WHOLE UNIT CAN BE WASHED IN WATER.

DO NOT USE BOILED WATER.

Next, put the inner blade back into the outer blade. To replace the outer blade frame to the body, match the mark (c) with (d), and turn clockwise until it clicks in.

Caution

Do not insert the device further into your nostril or an ear hole than the narrow tip on the outer blade. Also, do not press the trimmer forcefully into your nostril, or an ear hole.

Do not attempt to use the device if the outer blade frame or blades are deformed or damaged, as injury to your nostril or an ear hole may occur.

This trimmer is designed only for cutting nose or ear hairs. Do not attempt to use it for any other purpose. The blades have been precision manufactured. Do not subject them to excessive force, impact, etc.

Be sure that the switch is turned off before attempting to clean the blades.

If used once a week for approx. 1 min. at a time, the life of the blades is approx. 3 years.

READ ALL INSTRUCTIONS BEFORE USE.

Service · Assistance · Accessories
800-338-0552
panasonic.com/personalcare

Service · Assistance · Accessories
800-338-0552
panasonic.com/personalcare

IN USA CONTACT:
PANASONIC PERSONAL AND
PROFESSIONAL PRODUCTS COMPANY
One Panasonic Way 4A-3
Secaucus, NJ 07094

IN PUERTO RICO CONTACT:
PANASONIC SALES COMPANY
DIVISION OF MATSUSHITA ELECTRIC OF PUERTO
RICO, INC.
San Gabriel Industrial Park
65th Infantry Avenue KM9.5
Carolina, Puerto Rico 00630